

SYNERGY BRONZE STUDIO PACKAGE

The SYNERGY Bronze Studio Package is a complete digital radio studio.

The package, which includes technical furniture, has a set of pre-wired cable looms and can be assembled in just a few hours, even if you have little previous experience.

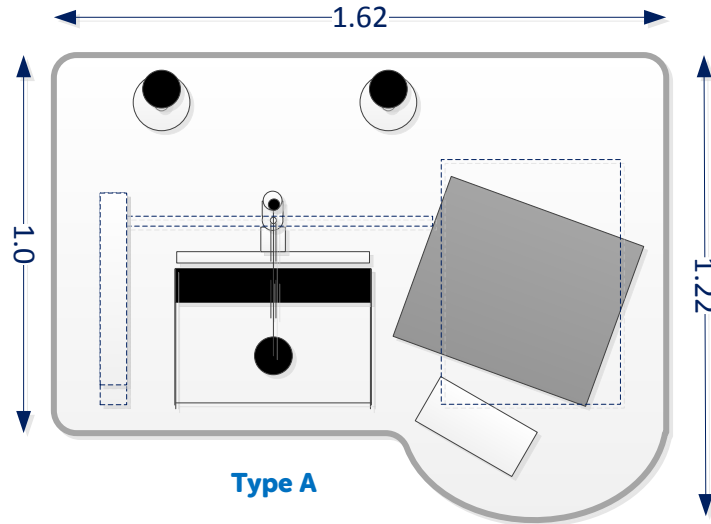
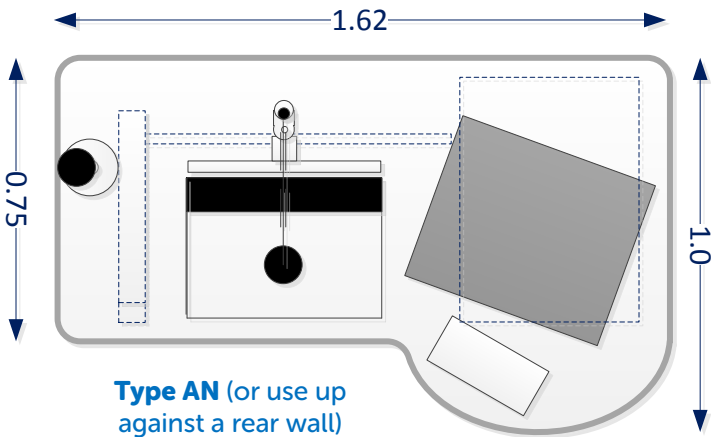
What you get




Several Studio Packages can be provided for stations with more than one studio, and complementary CTA (Central Technical Area) packages can also be provided.

The Bronze Package has a single control surface, with a total of 8 'fader strips', each of which can have fully-assignable sources. If more than 8 faders are required simultaneously, the Silver Package is recommended.

Equipment	Quantity
SYNERGY Master Control Surface (MCS)	•
SYNERGY Suite of integrated broadcast software tools	•
SYNERGY 2U Rackmounting PC (1Tb+1Tb HDD) c/w touchscreen	•
SYNERGY Master Processing Unit (MPU)	•
Pro CD/MP3 player with remote start from mixer	•
Large diaphragm cardioid condenser mic with shockmount	• • •
Anglepoise mic arm	•
Heavy duty table top mic stand	• •
Guest Mic Cough panel	• •
Pair of bi-amplified active monitor loudspeakers	•
Professional stereo headphones	• • •
Automatic telephone balancing unit with remote divert and handset	•
MIC LIVE/ON AIR indicator panel with mixer interface	•
Second MIC LIVE/ON AIR indicator panel (for outside of studio)	•
Set of technical furniture for above items	•
Pre-wired cable looms including mains distribution	•
Touchscreen monitor arms	•
Table top MIC LIVE/ON AIR indicator stand	•
Pair of table top speaker stands	•
Station Hub inter-area connection panel	•
GSM Interface for TBU (required when fixed lines not available)	Option
Second monitor (for clock/indicator) or production/scheduling	Option

Furniture options



-  Keyboard
-  Guest mic on table stand with cough panel
-  Presenter's mic on anglepoise arm

